

AZURE MLD BLADE CEILING FAN



White with Matt White Blade

Installation Locations:

Indoor location only.

Recommended Height:

There should be at least 2.1m between the lowest point of the fan blades and the floor.

Motor:

16 Pole, 153mm x 15mm AC motor
Made with the highest grade copper windings and silicone steel stator. Bearings are sealed to ensure quiet operation and long life.

Top Canopy & Downrod:

Materials: Pressed Steel

Product Range:

A223 - White with White Blades

Blades:

1220mm (48") Straight Style
Materials: Plastic Blade
Blade Pitch: 10°

Extra Information:

Introduced into the HPI range in 2023
3 Speed wall controller
Reversible

Standard Canopy Cover:

Suitable for flat and pitched ceilings up to 28°

Wall Controller Speed Capacitor Values:

3.5µF & 2µF

Weight Including Packaging:

Complete fan 1220mm (48") - 7.9kg

Packaging Dimensions (cm):

54.3L x 25.3W x 27.5H

Accessories (Supplied separately):

Down Rod 21mm diameter (included wire harness)

050 - 91cm White Downrod

060 - 180cm White Downrod

009 - T-Hook for ceiling roses

A2002 - Konetik Non-Dimming Remote

A2003 - Logic Dimming Remote

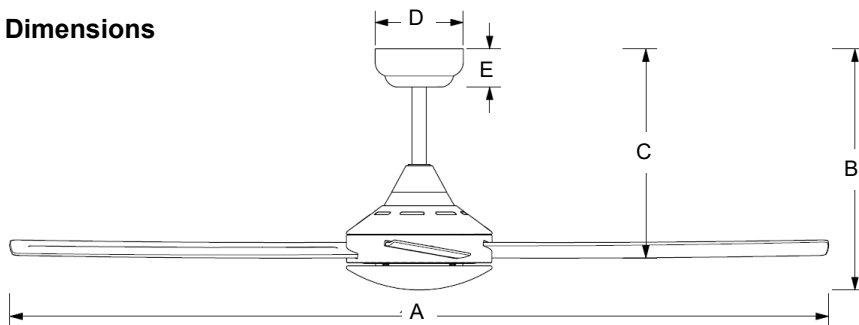
Warranty

3 years standard warranty "in home" on mechanical parts (including motors)

4 years extended warranty on motor only (excluding labour)

*For full warranty details please see Hunter Pacific International's website www.hunterpacific.com.au

Dimensions



A	B	C	D	E
1220mm	363mm	316mm	131mm	57mm

	HIGH	MED	LOW
RPMS	182	145	102
WATTS	64	36.3	16.9
AIRFLOW (CMH):	11542	8637	6459

AZURE MLD BLADE WITH E27 CEILING FAN



White with Matt White Blade

Installation Locations:

Indoor location only.

Recommended Height:

There should be at least 2.1m between the lowest point of the fan blades and the floor.

Motor:

16 Pole, 153mm x 15mm AC motor
 Made with the highest grade copper windings and silicone steel stator. Bearings are sealed to ensure quiet operation and long life.

Top Canopy & Downrod:

Materials: Pressed Steel

Product Range:

A225 - White with White Blades

Blades:

1220mm (48") Straight Style
 Materials: Plastic blade
 Blade Pitch: 10°

Extra Information:

Introduced into the HPI range in 2023
 3 Speed wall controller
 Reversible

Standard Canopy Cover:

Suitable for flat and pitched ceilings up to 28°

Wall Controller Speed Capacitor Values:

3.5µF & 2µF

Light Fitting:

2 x E27 sockets

Weight Including Packaging:

Complete fan 1220mm (48") - 8.1kg

Packaging Dimensions (cm):

54.3L x 25.3W x 27.5H

Accessories (Supplied separately):

Down Rod 21mm diameter (included wire harness)

050 - 91cm White Downrod

060 - 180cm White Downrod

009 - T-Hook for ceiling roses

A2002 - Konetik Non-Dimming Remote

A2003 - Logic Dimming Remote

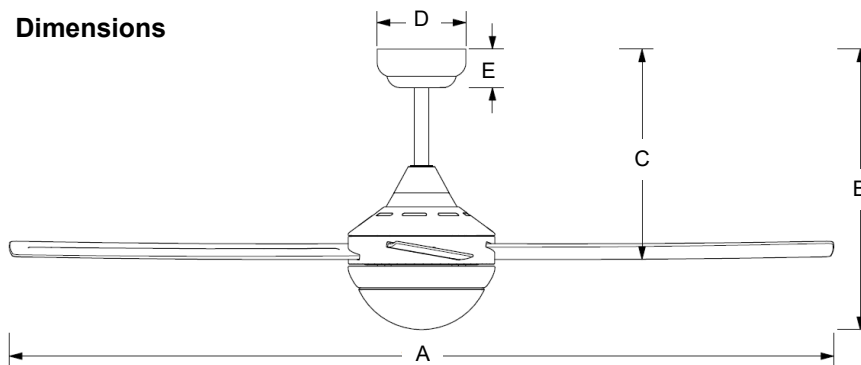
Warranty

3 years standard warranty "in home" on mechanical parts (including motors)

4 years extended warranty on motor only (excluding labour)

*For full warranty details please see Hunter Pacific International's website www.hunterpacific.com.au

Dimensions



A	B	C	D	E
1220mm	419mm	316mm	131mm	57mm

	HIGH	MED	LOW
RPMS	182	145	102
WATTS	64	36.3	16.9
AIRFLOW (CMH):	11542	8637	6459